

Door to Door Rate card

Royal Mail Door to Door[®]

Effective for bookings
made from 9 March 2020



Contents

Know your formats	3
Our Collection Service	3
Door to Door Promotional Prices	4
Door to Door Standard Prices	4

Royal Mail Door to Door® Rate Card

Weight up to and including:	
20g*	4
35g*	4
60g*	5
80g*	5
100g*	6
New User	7
Heavyweight	7
Week 2	7

*All items of more than 5mm in depth must be booked through the Door to Door Booking Centre. Please call 0345 266 0858 for advice.

All prices relate to contracts distributed over a maximum of 13 continuous weeks

Contact us

We hope that this rate card has been useful, but should you need any further help or advice, please do contact the Door to Door team on **0345 266 0858** or by email **doortodoor@royalmail.com**

Although correct at the time this rate card was produced (March 2020), postal prices, fees and other conditions are subject to revision from time to time and services may need to be added or withdrawn.

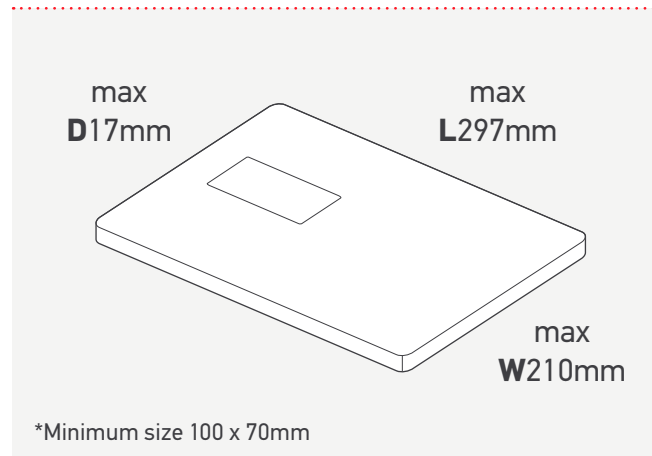
Please check **royalmail.com/doortodoor** for the latest prices.

Royal Mail, the Cruciform all marks indicated with ® are registered trade marks of Royal Mail Group Ltd. Door to Door Rate card 2020 © Royal Mail Group 2020. All rights reserved. Royal Mail is a trading name of Royal Mail Group Ltd, registered in England and Wales number 4138203. Registered office 100 Victoria Embankment, LONDON, EC4Y 0HQ.

Know your Items

Your Door to Door contract is priced by weight and size. Here are the maximum and minimum sizes that your Door to Door items must adhere to.

Items Up to 200g*



All items of more than **5mm in depth** must be booked through the Door to Door Booking Centre. Please call **0345 266 0858** for advice. For further information visit: **royalmail.com/doortodoor**

The Door to Door Handover and User Guide can be found at **royalmail.com/doortodoor** and contains details of how to prepare your items for delivery and handing over at our dedicated Walk Bundling Centres.

We can check your item when you send us a sample, and if you want to talk anything through with the team you can call us on **0345 266 0858**.

Our Collection Service

For added convenience we offer a flexible collection and handover service.

The Door to Door Collection service provides collection, storage and handover of your items to our Walk Bundling Centres in accordance with your handover schedule.

Please call our Door to Door team on **0345 266 0858** for more information.

Repackaging Fee

You can present your items to us in either boxes or secure bundles.

Boxes must weigh less than 10kg and Bundles less than 6.4kg.

These are the maximum weights our teams are allowed to carry.

Each Box or Bundle must contain the same number of items and weigh the same, and all items should be made from the same paper stock and weight. This allows us to quickly and accurately count and bundle the correct number of items for each delivery officer's walk.

Please refer to our User Guide for full information regarding preparing your items for handover, which can be found at **royalmail.com/doortodoor**

Where we have need to repackage your boxes or bundles at the Walk Bundling Centre because it hasn't been handed over to us in a compliant manner, we will contact you to inform you and may charge you the following fees: -

1. For the first hour or part thereof - £75
2. For each subsequent hour or part thereof - £50

For full details of our Repackaging policy please refer to our Door to Door Terms and Conditions which are available at **royalmail.com/doortodoor**

Our Cancellation Charges

If you cancel all or part of a delivery, end our Agreement in whole or part, or if we refuse to accept or deliver items because they do not comply with our Terms and Conditions, the following cancellation fees apply: -

- If there are twenty-six (26) weeks or more left before the first day of delivery to the applicable postcode sector(s) – we will charge 10% of the delivery charges (subject to a minimum fee of £100)
- If there are less than twenty-six (26) weeks but more than thirteen (13) weeks left before the first day of delivery to the applicable postcode sector(s) – we will charge 20% of the delivery charges (subject to a minimum fee of £100).
- If there are thirteen (13) weeks or less left before the first day of delivery to the applicable postcode sector(s) and you have not completed Handover – we will charge 50% of the delivery charges (subject to a minimum fee of £100).
- If there are thirteen (13) weeks or less left before the first day of delivery to the applicable postcode sector(s) and you have completed Handover – we will charge 100% of the delivery charges (subject to a minimum fee of £100).
- If you do not deliver the items to be distributed and have not cancelled your items, we will charge 100% of the delivery charges (subject to a minimum fee of £100).

For exceptions to the above please refer to our Door to Door Terms and Conditions which are available at **royalmail.com/doortodoor**

Door to Door Prices

Door to Door Promotional Prices (price per 1,000 items)

Prices effective for bookings made between 9th March and 11th September 2020 for contract volumes up to 200,000 items for items weighing up to 100g

All prices relate to contracts distributed over a maximum of 13 continuous weeks

Weight up to and including (and under 5mm in depth)					
Number of items	20g	35g	60g	80g	100g
<25k	£65.99	£70.61	£92.39	£99.64	£116.14
25,000 - 100,000	£60.99	£65.26	£85.39	£92.09	£107.34
100,001 - 200,000	£57.49	£61.51	£80.49	£86.81	£101.18

Unless we notify you otherwise in accordance with the provisions below, the promotional prices set out above (Promotional Prices) will automatically apply to all standard bookings confirmed by us between 9th March and 11th September 2020 inclusive (the Promotional Price Period).

The Promotional Prices are available to all customers and will apply to any bookings involving distributions of up to 200,000 items where each item weighs up to 100g and is under 5mm in depth.

If, in our sole discretion, we decide to withdraw the Promotional Prices prior to 11th September 2020 or we choose to extend the Promotional Price Period, we will give you at least 1 months' notice prior to withdrawing or extending (as applicable) the Promotional Prices.

We will charge all bookings which are confirmed by us after the Promotional Price Period has ended at the standard Door to Door rate card price as set out in the Pricing tables below.

All bookings made during the Promotional Price Period will be subject to the Royal Mail Door to Door Standard Terms and Conditions which can be viewed at royalmail.com/doortodoor

Door to Door Standard Prices

Weight up to and including 20 grams and under 5mm in depth (price per 1,000 items)

All prices relate to contracts distributed over a maximum of 13 continuous weeks

Band									
Number of items	A	B	C	D	E	F	G	H	J
0 - 25,000	£69.99	£69.99	£69.99	£69.99	£69.99	£69.99	£69.99	£69.99	£69.99
25,001 - 100,000	£63.68	£63.68	£63.68	£63.68	£63.68	£63.68	£63.68	£63.68	£63.68
100,001 - 200,000	£59.48	£59.48	£59.48	£59.48	£59.48	£59.48	£59.48	£59.48	£59.48
200,001 - 500,000	£64.40	£58.98	£56.69	£52.79	£54.21	£55.04	£55.59	£57.85	£61.23
500,001 - 1,000,000	£62.10	£56.87	£54.66	£50.90	£52.27	£53.07	£53.60	£55.78	£59.04
1,000,001 - 2,000,000	£60.01	£54.96	£52.83	£49.19	£50.51	£51.29	£51.80	£53.91	£57.05
2,000,001 - 4,000,000	£57.22	£52.40	£50.37	£46.90	£48.16	£48.90	£49.39	£51.40	£54.40
4,000,001 - 6,000,000	£54.80	£50.18	£48.24	£44.91	£46.12	£46.83	£47.30	£49.22	£52.10
6,000,001 - 10,000,000	£53.70	£49.18	£47.27	£44.02	£45.20	£45.89	£46.35	£48.24	£51.05
10,000,000+	£52.97	£48.51	£46.63	£43.42	£44.58	£45.27	£45.72	£47.58	£50.36

All Prices are subject to VAT, and are subject to availability. A Minimum charge of £500 plus VAT applies to all Door to Door contracts (excludes handling charges).

Door to Door Prices

Weight up to and including 35 grams and under 5mm in depth (price per 1,000 items)

All prices relate to contracts distributed over a maximum of 13 continuous weeks

Number of items	Band								
	A	B	C	D	E	F	G	H	J
0 - 25,000	£74.89	£74.89	£74.89	£74.89	£74.89	£74.89	£74.89	£74.89	£74.89
25,001 - 100,000	£68.14	£68.14	£68.14	£68.14	£68.14	£68.14	£68.14	£68.14	£68.14
100,001 - 200,000	£63.64	£63.64	£63.64	£63.64	£63.64	£63.64	£63.64	£63.64	£63.64
200,001 - 500,000	£68.91	£63.11	£60.66	£56.48	£58.00	£58.89	£59.48	£61.90	£65.51
500,001 - 1,000,000	£66.44	£60.85	£58.49	£54.46	£55.93	£56.78	£57.35	£59.68	£63.17
1,000,001 - 2,000,000	£64.21	£58.81	£56.53	£52.63	£54.05	£54.88	£55.42	£57.68	£61.05
2,000,001 - 4,000,000	£61.22	£56.07	£53.89	£50.18	£51.53	£52.32	£52.84	£54.99	£58.21
4,000,001 - 6,000,000	£58.63	£53.70	£51.61	£48.06	£49.35	£50.11	£50.61	£52.67	£55.74
6,000,001 - 10,000,000	£57.46	£52.63	£50.58	£47.10	£48.37	£49.11	£49.60	£51.61	£54.63
10,000,000+	£56.68	£51.91	£49.89	£46.45	£47.71	£48.44	£48.92	£50.91	£53.88

Weight up to and including 60 grams and under 5mm in depth (price per 1,000 items)

All prices relate to contracts distributed over a maximum of 13 continuous weeks

Number of items	Band								
	A	B	C	D	E	F	G	H	J
0 - 25,000	£97.99	£97.99	£97.99	£97.99	£97.99	£97.99	£97.99	£97.99	£97.99
25,001 - 100,000	£89.15	£89.15	£89.15	£89.15	£89.15	£89.15	£89.15	£89.15	£89.15
100,001 - 200,000	£83.27	£83.27	£83.27	£83.27	£83.27	£83.27	£83.27	£83.27	£83.27
200,001 - 500,000	£90.16	£82.58	£79.37	£73.90	£75.89	£77.05	£77.82	£80.99	£85.72
500,001 - 1,000,000	£86.94	£79.62	£76.53	£71.26	£73.18	£74.30	£75.04	£78.09	£82.65
1,000,001 - 2,000,000	£84.02	£76.95	£73.96	£68.87	£70.72	£71.80	£72.52	£75.47	£79.88
2,000,001 - 4,000,000	£80.11	£73.36	£70.52	£65.66	£67.43	£68.46	£69.14	£71.95	£76.16
4,000,001 - 6,000,000	£76.72	£70.26	£67.53	£62.88	£64.57	£65.56	£66.21	£68.91	£72.93
6,000,001 - 10,000,000	£75.18	£68.86	£66.18	£61.62	£63.28	£64.25	£64.89	£67.53	£71.48
10,000,000+	£74.16	£67.91	£65.28	£60.78	£62.42	£63.37	£64.00	£66.61	£70.50

All Prices are subject to VAT, and are subject to availability. A Minimum charge of £500 plus VAT applies to all Door to Door contracts (excludes handling charges).

Door to Door Prices

Weight up to and including 80 grams and under 5mm in depth (price per 1,000 items)

All prices relate to contracts distributed over a maximum of 13 continuous weeks

Band									
Number of items	A	B	C	D	E	F	G	H	J
0 - 25,000	£105.68	£105.68	£105.68	£105.68	£105.68	£105.68	£105.68	£105.68	£105.68
25,001 - 100,000	£96.16	£96.16	£96.16	£96.16	£96.16	£96.16	£96.16	£96.16	£96.16
100,001 - 200,000	£89.81	£89.81	£89.81	£89.81	£89.81	£89.81	£89.81	£89.81	£89.81
200,001 - 500,000	£97.25	£89.06	£85.61	£79.71	£81.86	£83.11	£83.94	£87.35	£92.45
500,001 - 1,000,000	£93.77	£85.88	£82.54	£76.86	£78.93	£80.13	£80.93	£84.22	£89.14
1,000,001 - 2,000,000	£90.62	£82.99	£79.77	£74.28	£76.28	£77.44	£78.21	£81.40	£86.15
2,000,001 - 4,000,000	£86.40	£79.13	£76.06	£70.82	£72.72	£73.84	£74.57	£77.61	£82.14
4,000,001 - 6,000,000	£82.74	£75.78	£72.84	£67.82	£69.65	£70.71	£71.42	£74.32	£78.66
6,000,001 - 10,000,000	£81.09	£74.27	£71.38	£66.47	£68.26	£69.30	£69.99	£72.84	£77.09
10,000,000+	£79.98	£73.25	£70.41	£65.56	£67.32	£68.35	£69.03	£71.84	£76.04

Weight up to and including 100 grams and under 5mm in depth (price per 1,000 items)

All prices relate to contracts distributed over a maximum of 13 continuous weeks

Band									
Number of items	A	B	C	D	E	F	G	H	J
0 - 25,000	£123.18	£123.18	£123.18	£123.18	£123.18	£123.18	£123.18	£123.18	£123.18
25,001 - 100,000	£112.08	£112.08	£112.08	£112.08	£112.08	£112.08	£112.08	£112.08	£112.08
100,001 - 200,000	£104.68	£104.68	£104.68	£104.68	£104.68	£104.68	£104.68	£104.68	£104.68
200,001 - 500,000	£113.35	£103.81	£99.78	£92.91	£95.41	£96.87	£97.83	£101.81	£107.76
500,001 - 1,000,000	£109.29	£100.09	£96.21	£89.58	£91.99	£93.40	£94.33	£98.17	£103.90
1,000,001 - 2,000,000	£105.62	£96.73	£92.98	£86.57	£88.91	£90.27	£91.16	£94.87	£100.42
2,000,001 - 4,000,000	£100.70	£92.23	£88.65	£82.54	£84.77	£86.06	£86.92	£90.46	£95.74
4,000,001 - 6,000,000	£96.44	£88.33	£84.90	£79.05	£81.18	£82.42	£83.24	£86.63	£91.69
6,000,001 - 10,000,000	£94.52	£86.56	£83.20	£77.47	£79.56	£80.77	£81.58	£84.90	£89.86
10,000,000+	£93.22	£85.38	£82.06	£76.41	£78.47	£79.67	£80.46	£83.74	£88.63

All Prices are subject to VAT, and are subject to availability. A Minimum charge of £500 plus VAT applies to all Door to Door contracts (excludes handling charges).

Door to Door Prices

New User under 5mm in depth (price per 1,000 items)

All prices relate to contracts distributed over a maximum of 13 continuous weeks

Weight up to and including					
Number of items	20g	35g	60g	80g	100g
0 - 25,000	£62.99	£67.40	£88.19	£95.11	£110.86
25,001 - 100,000	£57.31	£61.32	£80.23	£86.54	£100.87
100,001 - 200,000	£53.53	£57.28	£74.94	£80.83	£94.21
200,001 - 500,000	£49.78	£53.26	£69.69	£75.17	£87.61
500,001 - 1,000,000	£48.00	£51.36	£67.20	£72.48	£84.48
1,000,000+	£46.39	£49.64	£64.95	£70.05	£81.65

Heavyweight under 5mm in depth (price per 1,000 items)

All prices relate to contracts distributed over a maximum of 13 continuous weeks

Weight up to and including					
Number of items	120g	140g	160g	180g	200g
0 - 25,000	£151.30	£166.43	£182.44	£197.65	£214.87
25,000 - 100,000	£135.68	£149.26	£163.62	£177.24	£192.70
100,000+	£133.19	£139.47	£152.90	£165.64	£180.09

The New User rate is available to brand new Door to Door customers and those who have not used Door to Door for over 18 months. The rate is available for distributions taking place during a period of six months, which commences from the week of your first distribution.

All items of more than 5mm in depth must be booked through the Door to Door Booking Centre, please call **0345 266 0858** for advice.

Week 2 Bookings

Need to book Door to Door at the last minute? We can now accept bookings for distributions less than 2 weeks ahead of the distribution week.

This enables customers to book contracts up to 10 days of their delivery commencement date.

Price Premium over Standard Rate Card	
Up to 200g and under 5mm in depth	10%
Over 200g or over 5mm in depth	25%

Your items must be handed over to Royal Mail no less than 7 days ahead of the first distribution day in accordance with our normal handover schedules. More details can be found in the Door to Door User Guide.

All Prices are subject to VAT, and are subject to availability. A Minimum charge of £500 plus VAT applies to all Door to Door contracts (excludes handling charges).

