

Door to Door Rate card

Royal Mail Door to Door[®]

March 2018



Contact us

We hope that this rate card has been useful, but should you need any further help or advice, please do contact the Door to Door team on **0345 266 0858** or by email **doortodoor@royalmail.com**

The new prices will come into effect for bookings made from Monday 5 March 2018 for all distributions taking place on or after Monday 26 March 2018.

Although correct at the time this rate card was produced (March 2018), postal prices, fees and other conditions are subject to revision from time to time and services may need to be added or withdrawn.

Up-to-date information may be obtained by visiting **royalmail.com/doortodoor**

Royal Mail, the Cruciform all marks indicated with ® are registered trade marks of Royal Mail Group Ltd. Door to Door Rate card 2018 © Royal Mail Group 2018. All rights reserved. Royal Mail is a trading name of Royal Mail Group Ltd, registered in England and Wales number 4138203. Registered office 100 Victoria Embankment, LONDON, EC4Y 0HQ.

Contents

Know your formats	3
Our Collection Service	3

Royal Mail Door to Door® Rate Card

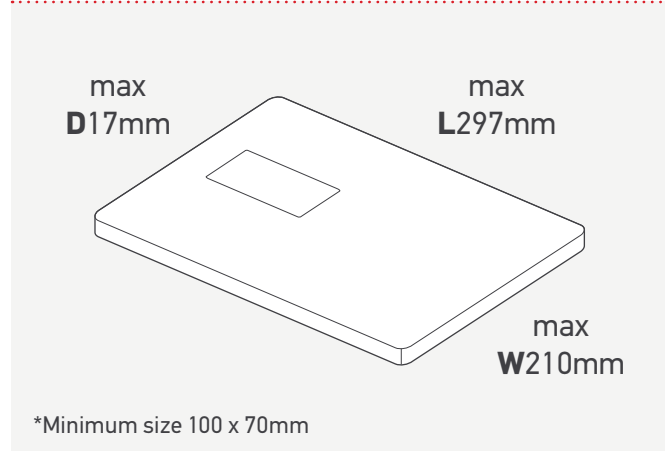
Weight up to and including:	
20g*	4
35g*	4
60g*	5
80g*	5
100g*	6
New Customer	6
Heavyweight	7

*All items of more than 5mm in depth must be booked through the Door to Door Booking Centre. Please call 0345 266 0858 for advice.

Know your formats

Here are the formats we use to work out the postage. Each format has its own size and weight limits. The illustrations below will help you work out which format your item will fall into.

Items Up to 200g*



Bundles to weigh less than **6.4kg**. Boxes to weigh less than **10kg**.
In each box – every item to weigh the same and be made from the same paper weight.

All items of more than **5mm in depth** must be booked through the Door to Door Booking Centre. Please call **0345 266 0858** for advice.
For further information visit: royalmail.com/doortodoor

We can check your item when you send us a sample, and if you want to talk anything through with the team you can call: **0345 266 0858**.

Our Collection Service

We also offer a flexible Collection and handover service.

In every case you get a consistent, efficient and value for money service.

From the simplest single-week delivery, single handover contract, through to those being delivered over a number of weeks requiring delivery to multiple Walk Bundling Centres, the Door to Door Collection service will manage your handover needs.

Please call our Door to Door team on **0345 266 0858** for more information.

Door to Door

Weight up to and including 20 grams and under 5mm in depth (price per 1,000 items)

Number of items	A	B	C	D	E	F	G	H	J
0 - 25,000	£69.99	£69.99	£69.99	£69.99	£69.99	£69.99	£69.99	£69.99	£69.99
25,001 - 100,000	£63.68	£63.68	£63.68	£63.68	£63.68	£63.68	£63.68	£63.68	£63.68
100,001 - 200,000	£59.48	£59.48	£59.48	£59.48	£59.48	£59.48	£59.48	£59.48	£59.48
200,001 - 500,000	£63.75	£58.39	£56.13	£52.26	£53.66	£54.49	£55.04	£57.28	£60.61
500,001 - 1,000,000	£61.46	£56.29	£54.12	£50.39	£51.73	£52.54	£53.07	£55.23	£58.44
1,000,001 - 2,000,000	£59.41	£54.41	£52.31	£48.71	£50.00	£50.78	£51.29	£53.38	£56.48
2,000,001 - 4,000,000	£56.63	£51.87	£49.87	£46.43	£47.67	£48.41	£48.90	£50.89	£53.84
4,000,001 - 6,000,000	£54.23	£49.67	£47.75	£44.46	£45.65	£46.36	£46.83	£48.73	£51.56
6,000,001 - 10,000,000	£53.15	£48.68	£46.80	£43.58	£44.74	£45.43	£45.89	£47.76	£50.53
10,000,000+	£52.43	£48.02	£46.17	£42.99	£44.13	£44.82	£45.27	£47.11	£49.85

Weight up to and including 35 grams and under 5mm in depth (price per 1,000 items)

Number of items	A	B	C	D	E	F	G	H	J
0 - 25,000	£74.89	£74.89	£74.89	£74.89	£74.89	£74.89	£74.89	£74.89	£74.89
25,001 - 100,000	£68.14	£68.14	£68.14	£68.14	£68.14	£68.14	£68.14	£68.14	£68.14
100,001 - 200,000	£63.64	£63.64	£63.64	£63.64	£63.64	£63.64	£63.64	£63.64	£63.64
200,001 - 500,000	£68.21	£62.47	£60.06	£55.92	£57.41	£58.31	£58.89	£61.29	£64.85
500,001 - 1,000,000	£65.76	£60.23	£57.91	£53.92	£55.36	£56.22	£56.78	£59.09	£62.53
1,000,001 - 2,000,000	£63.57	£58.22	£55.97	£52.12	£53.50	£54.34	£54.88	£57.12	£60.44
2,000,001 - 4,000,000	£60.60	£55.50	£53.36	£49.68	£51.01	£51.80	£52.32	£54.45	£57.61
4,000,001 - 6,000,000	£58.03	£53.15	£51.10	£47.58	£48.85	£49.61	£50.10	£52.14	£55.17
6,000,001 - 10,000,000	£56.87	£52.09	£50.07	£46.63	£47.87	£48.61	£49.10	£51.10	£54.07
10,000,000+	£56.10	£51.38	£49.40	£45.99	£47.22	£47.96	£48.44	£50.41	£53.34

All prices subject to minimum charge of £500 plus Door to Door rate card VAT and are subject to availability (excludes handling charges).

Door to Door

Weight up to and including 60 grams and under 5mm in depth (price per 1,000 items)

Number of items	A	B	C	D	E	F	G	H	J
0 - 25,000	£97.99	£97.99	£97.99	£97.99	£97.99	£97.99	£97.99	£97.99	£97.99
25,001 - 100,000	£89.15	£89.15	£89.15	£89.15	£89.15	£89.15	£89.15	£89.15	£89.15
100,001 - 200,000	£83.27	£83.27	£83.27	£83.27	£83.27	£83.27	£83.27	£83.27	£83.27
200,001 - 500,000	£89.25	£81.74	£78.58	£73.17	£75.12	£76.29	£77.06	£80.19	£84.85
500,001 - 1,000,000	£86.05	£78.81	£75.77	£70.55	£72.43	£73.56	£74.29	£77.32	£81.81
1,000,001 - 2,000,000	£83.17	£76.18	£73.23	£68.19	£70.01	£71.10	£71.81	£74.73	£79.07
2,000,001 - 4,000,000	£79.28	£72.62	£69.81	£65.00	£66.74	£67.78	£68.46	£71.24	£75.38
4,000,001 - 6,000,000	£75.93	£69.54	£66.86	£62.25	£63.91	£64.91	£65.56	£68.22	£72.19
6,000,001 - 10,000,000	£74.41	£68.15	£65.52	£61.01	£62.63	£63.61	£64.25	£66.86	£70.74
10,000,000+	£73.40	£67.23	£64.63	£60.18	£61.78	£62.75	£63.38	£65.95	£69.79

Weight up to and including 80 grams and under 5mm in depth (price per 1,000 items)

Number of items	A	B	C	D	E	F	G	H	J
0 - 25,000	£105.68	£105.68	£105.68	£105.68	£105.68	£105.68	£105.68	£105.68	£105.68
25,001 - 100,000	£96.16	£96.16	£96.16	£96.16	£96.16	£96.16	£96.16	£96.16	£96.16
100,001 - 200,000	£89.81	£89.81	£89.81	£89.81	£89.81	£89.81	£89.81	£89.81	£89.81
200,001 - 500,000	£96.26	£88.16	£84.76	£78.92	£81.02	£82.28	£83.11	£86.49	£91.52
500,001 - 1,000,000	£92.81	£85.00	£81.72	£76.09	£78.12	£79.34	£80.13	£83.39	£88.24
1,000,001 - 2,000,000	£89.70	£82.16	£78.99	£73.55	£75.51	£76.68	£77.45	£80.60	£85.29
2,000,001 - 4,000,000	£85.51	£78.32	£75.30	£70.11	£71.98	£73.10	£73.83	£76.84	£81.30
4,000,001 - 6,000,000	£81.89	£75.01	£72.11	£67.14	£68.93	£70.00	£70.71	£73.58	£77.86
6,000,001 - 10,000,000	£80.25	£73.51	£70.67	£65.80	£67.55	£68.60	£69.29	£72.11	£76.30
10,000,000+	£79.17	£72.51	£69.71	£64.91	£66.64	£67.68	£68.35	£71.14	£75.27

All prices subject to minimum charge of £500 plus Door to Door rate card VAT and are subject to availability (excludes handling charges).

Door to Door

Weight up to and including 100 grams and under 5mm in depth (price per 1,000 items)

Number of items	A	B	C	D	E	F	G	H	J
0 - 25,000	£123.18	£123.18	£123.18	£123.18	£123.18	£123.18	£123.18	£123.18	£123.18
25,001 - 100,000	£112.08	£112.08	£112.08	£112.08	£112.08	£112.08	£112.08	£112.08	£112.08
100,001 - 200,000	£104.68	£104.68	£104.68	£104.68	£104.68	£104.68	£104.68	£104.68	£104.68
200,001 - 500,000	£112.19	£102.76	£98.79	£91.98	£94.44	£95.91	£96.87	£100.81	£106.67
500,001 - 1,000,000	£108.17	£99.08	£95.25	£88.69	£91.05	£92.47	£93.40	£97.20	£102.85
1,000,001 - 2,000,000	£104.56	£95.76	£92.06	£85.72	£88.01	£89.38	£90.28	£93.95	£99.41
2,000,001 - 4,000,000	£99.67	£91.29	£87.76	£81.72	£83.90	£85.20	£86.06	£89.56	£94.76
4,000,001 - 6,000,000	£95.45	£87.42	£84.05	£78.26	£80.34	£81.59	£82.41	£85.77	£90.75
6,000,001 - 10,000,000	£93.54	£85.67	£82.37	£76.69	£78.74	£79.96	£80.77	£84.05	£88.94
10,000,000+	£92.28	£84.52	£81.25	£75.65	£77.67	£78.88	£79.67	£82.91	£87.73

New Customer under 5mm in depth (price per 1,000 items)

Number of items	20g	35g	60g	80g	100g
0 - 25,000	£62.99	£67.40	£88.19	£95.11	£110.86
25,001 - 100,000	£57.32	£61.33	£80.25	£86.55	£100.88
100,001 - 200,000	£53.53	£57.28	£74.94	£80.83	£94.21
200,001 - 500,000	£50.24	£53.76	£70.34	£75.86	£88.42
500,001 - 1,000,000	£51.13	£54.71	£71.58	£77.21	£89.99
1,000,001 - 2,000,000	£50.46	£53.99	£70.64	£76.19	£88.81
2,000,001 - 4,000,000	£50.46	£53.99	£70.64	£76.19	£88.81
4,000,001 - 6,000,000	£50.46	£53.99	£70.64	£76.19	£88.81
6,000,001 - 10,000,000	£50.46	£53.99	£70.64	£76.19	£88.81
10,000,000+	£50.46	£53.99	£70.64	£76.19	£88.81

All prices subject to minimum charge of £500 plus Door to Door rate card VAT and are subject to availability (excludes handling charges).

Door to Door

Heavyweight under 5mm in depth (price per 1,000 items)

Number of items	120g	140g	160g	180g	200g
0 - 25,000	£148.33	£163.17	£178.86	£193.77	£210.66
25,001 - 100,000	£133.02	£146.33	£160.41	£173.76	£188.92
100,001+	£130.58	£136.74	£149.90	£162.39	£176.56

All items of more than **5mm in depth** must be booked through the Door to Door Booking Centre, please call **0345 266 0858** for advice.

All prices subject to minimum charge of £500 plus Door to Door rate card VAT and are subject to availability (excludes handling charges).

